

# DALMAN Co. (PVT) Ltd.

## 33KV CFC-3 Channel Type Fuse Cutout

511-22-431-C



### Technical Specifications:

Rated Voltage (KV)	Rated Current (A)	Interrupting current (KA)	Power Frequency withstand voltage (KV)	Impulse withstand Voltage (KV)	Creepage distance to ground (mm)
33	200	8 (Sym)	120	250	1092

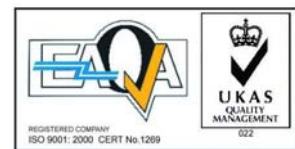
Manufacturer of M.V. Drop-out Open Fuse Cutouts and Fuselinks

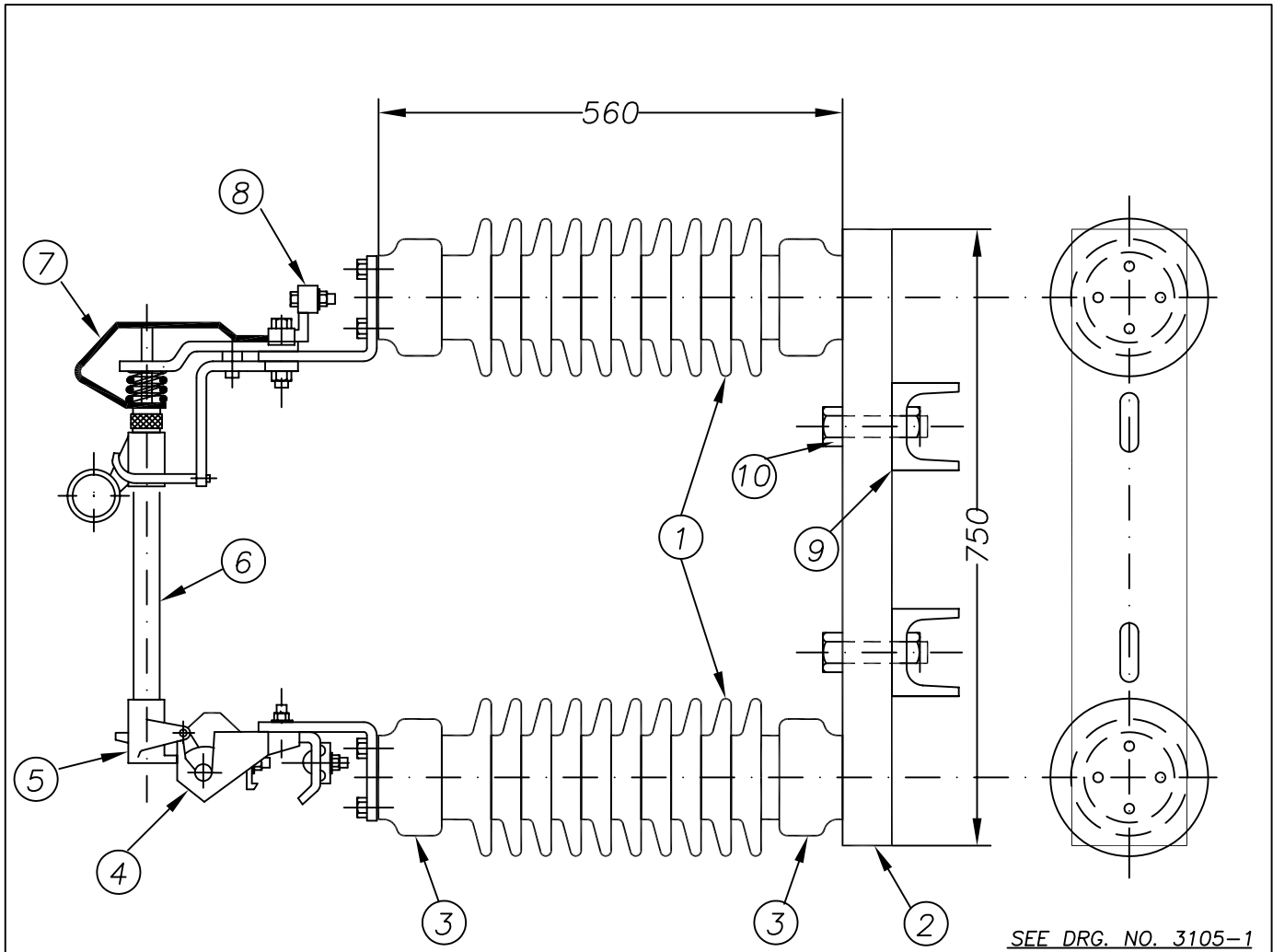
DALMAN CO. (PVT) Ltd.  
Razi Bldg. Fakhre- Razi St.  
Enghelab Ave.  
TEHRAN 13147 - IRAN  
P.O.Box 13145 - 1858

Tel. 66469022, 66409993  
Fax. +98 21 66410040  
E-mail:  
Info@dalman-co.com  
www.dalman-co.com

Factory: Km 5, Qazvin Road  
P.O.Box 34815 – 389  
TAKESTAN – IRAN  
Tel. 522 5131,2  
Fax. +98 282 522 1548

Banker:  
Bank Melli Iran  
Daneshgah Branch  
Acct.: 87/700385





SEE DRG. NO. 3105-1

### TECHNICAL DATA

- a) Creepage Distance 1092 mm
- b) Nominal Voltage 34.5 KV
- c) Rated Continuous Current 200 A
- d) Interr.Current (Sym) 8 KA
- (Asym) 12 KA
- e) Impulse Withstand Voltage 250 KV
- f) Low Frequency Withstand 120 KV(Dry)
- g) Low Frequency Withstand 100 KV(Wet)

For Installation See DWG. 3110-1

10	CHANNEL FIXING GALVANIZED BOLTS & NUT	2
9	CHANNEL IRON CROSS ARM	2
8	ALUMINIUM BRONZE	1
7	COPPER	1
6	FIBER GLASS TUBE	1
5	ALUMINIUM BRONZE	1
4	ALUMINIUM BRONZE	1
3	CAST IRON	4
2	M.S.CHANNEL	1
1	PORCELAIN	2
Item	Description	Qty

توضیحات کلیه ابعاد به میلی متر				انطباقات عمومی FREE TOLERANCES ISO 286-2				<b>DALMAN CO.(PVT) LTD, TEHRAN</b>	
تاریخ		تغییرات		نام		شماره		تاریخ	
						۱		طراحی	
						۲		رسم	
						۳		کنترل	
						۴		تصویب ۱	
						۵		تصویب ۲	
Orderd by:		کارفرما:		Dwg.Title:		عنوان نقشه:		جنس	
				Channel Type Fuse Cutout Type CFC		34.5 KV, 200 A		وزن 61.5 Kg	
Ref. Code		شماره مرجع		تعداد		برگ		مقیاس	
DWG.NO:		3111/R1		شماره نقشه					

# DALMAN COMPANY

## APPLICATION

DALMAN Type FC Cutouts provide complete over current protection to overhead distribution system rated 15 KV though 38 KV, whether applied to overhead transformers, capacitors, cables, or lines. These cutouts accommodate universal button head fuse links through 200A.Fuseholders with / or without arc shortening rod for heavy –duty, extra heavy- duty, or ultra heavy –duty interrupting ratings and 300A disconnecting switchblade interchangeable with fuse holder, equip FC Cutouts for a wide range of application.

## SPECIFICATION▼

Voltage Rating (KV)		B.I.L (KV)	Current Rating		Creepage Distance to Ground	Catalog Number 51- -
Nominal	Max. Design		Cont.(A)	Interrupting Asym.(KA)		
14.4	15	150	200	8	17" (440mm)	511-11-171-C
				12, 16•	17" (440mm)	511-22-171-C*
25	27	170	200	8	27" (680mm)	511-11-271-C
				12, 16•	27" (680mm)	511-22-271-C*
34.5	38	250	200	8	43" (1092mm)	511-11-431-C
				12, 16•	43" (1092mm)	511-22-431-C*
34.5	36	250	200	8	52" (1320mm)	511-11-521-C
				12, 16•	52" (1320mm)	511-22-521-C*

▼ All items are of CFC Channel Type designation

\* Equipped with arc shortening rod, required removable button head fuse link.

• One shot rating based on replacement of cut out tube only.

All ferrous parts are hot dip galvanized per ASTM A- 153

Fuse Cutouts with higher Creepage distances, and interrupting currents upon request.

**STANDARD:** ANSI C37.42 , IEC 60282-2

ISO 9001:2000 CERTIFIED COMPANY

<http://www.dalman-co.com> Email : [info@dalman-co.com](mailto:info@dalman-co.com)