

# DALMAN Co. (PVT) Ltd.

## 20KV FC-27 Pole Top Style Fuse Cutout

511-21-171



### Technical Specifications:

Rated Voltage (KV)	Rated Current (A)	Interrupting current (KA)	Power Frequency withstand voltage (KV)	Impulse withstand Voltage (KV)	Creepage distance to ground (mm)
25/27	100	12 (Asym.)	50	150	440



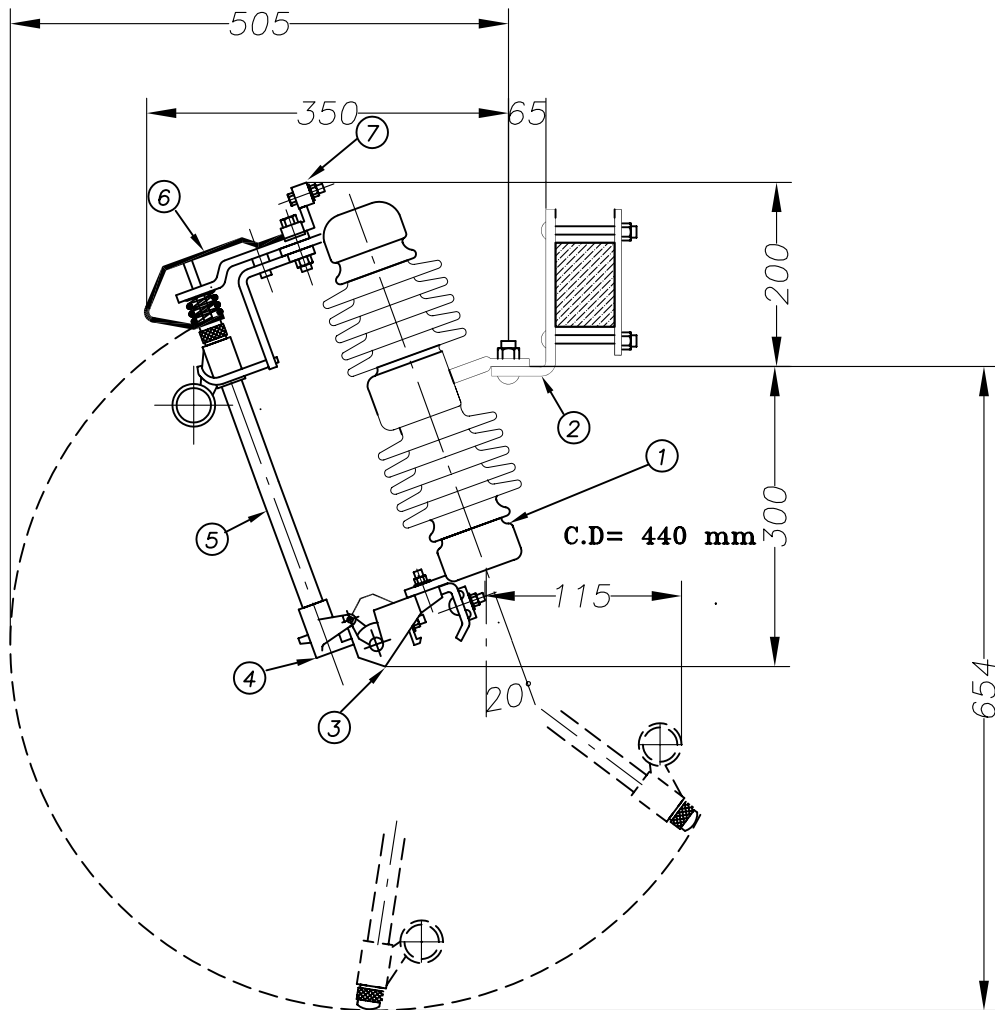
Manufacturer of M.V. Drop-out Open Fuse Cutouts and Fuselinks

DALMAN CO. (PVT) Ltd.  
Razi Bldg. Fakhre- Razi St.  
Enghelab Ave.  
TEHRAN 13147 - IRAN  
P.O.Box 13145 - 1858

Tel. 66469022, 66409993  
Fax. +98 21 66410040  
E-mail:  
Info@dalman-co.com  
www.dalman-co.com

Factory: Km 5, Qazvin Road  
P.O.Box 34815 – 389  
TAKESTAN – IRAN  
Tel. 522 5131,2  
Fax. +98 282 522 1548

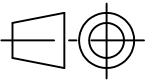

Banker:  
Bank Melli Iran  
Daneshgah Branch  
Acct.: 87/700385



## Drop-Out Fuse Cutout

a) Creepage Distance	mm	440
b) Nominal Voltage	KV	25
c) Max. Design Voltage	KV	27
d) Continuous Current	A	100
e) Interr. Current (Sym.)	KA	8
f) Min. Power Frequency Withstand	KV(Dry)	50
g) Min. Power Frequency Withstand	KV(Wet)	40
h) Min. Impulse Withstand	KV	150

7	DIECAST BRASS	1
6	Electric Copper	1
5	Vulcanized Tube Reinforced with Fiber Glass	1
4	DIECAST BRASS	1
3	DIECAST BRASS	1
2	NEMA Mounting Bracket	1
1	PORCELAIN	1
Item	Description	Qty

توضیحات کلیه ابعاد به میلی متر		 انطباقات عمومی FREE TOLERANCES ISO 286-2		 <b>DALMAN</b>		<b>DALMAN CO.(PVT) LTD, TEHRAN</b> Ordered by:		کارفرما:	
تاریخ	تغییرات	نام	شماره	تاریخ	نام	Dwg.Title:	عنوان نقشه:	جنس	
			۱		طرا b	Drop out Fuse Cutout Type FC 27 KV, 100 A		وزن	
			۲		رسم			مقیاس	
			۳		کنترل			تعداد	شماره مرجع
			۴		تصویب ۱	Ref. Code		برگ	شماره نقشه
			۵		تصویب ۲	DWG.NO:	3112		

# DALMAN COMPANY

## APPLICATION

DALMAN Type FC Cutouts provide complete over current protection to overhead distribution system rated 15 KV though 38 KV, whether applied to overhead transformers, capacitors, cables, or lines. These cutouts accommodate universal button head fuse links through 200A.Fuseholders with / or without arc shortening rod for heavy –duty, extra heavy- duty, or ultra heavy –duty interrupting ratings and 300A disconnecting switchblade interchangeable with fuse holder, equip FC Cutouts for a wide range of application.

## SPECIFICATION

Voltage Rating (KV)		B.I.L (KV)	Current Rating		Creepage Distance to Ground	Catalog Number 51- -
Nominal	Max. Design		Cont.(A) <sup>▲</sup>	Interrupting Asym.(KA)		
25	27	140	100	8	13" (330mm)	511-11-131
				12, 16 <sup>•</sup>	13" (330mm)	511-21-131*
25	27	150	100	8	17" (440mm)	511-11-171
				12, 16 <sup>•</sup>	17" (440mm)	511-21-171*
25	27	170	100	8	26" (660mm)	511-11-261
				12, 16 <sup>•</sup>	26" (660mm)	511-21-261*
25	27	170	100	8	32" (825mm)	511-11-321
				12, 16 <sup>•</sup>	32" (825mm)	511-21-321*

▲ 200A fuse holder is also available

\* Equipped with arc shortening rod, required removable button head fuse link.

● One shot rating based on replacement of cut out tube only.

All ferrous parts are hot dip galvanized per ASTM A- 153

Fuse Cutouts with higher Creepage distances, and interrupting currents upon request.

**STANDARD:** ANSI C37.42 , IEC 60282-2

ISO 9001:2000 CERTIFIED COMPANY

<http://www.dalman-co.com> Email : [info@dalman-co.com](mailto:info@dalman-co.com)